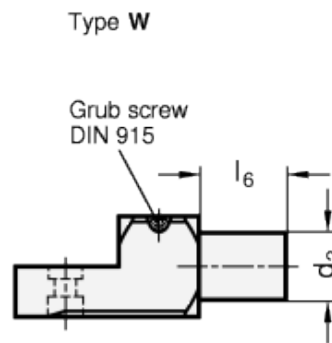
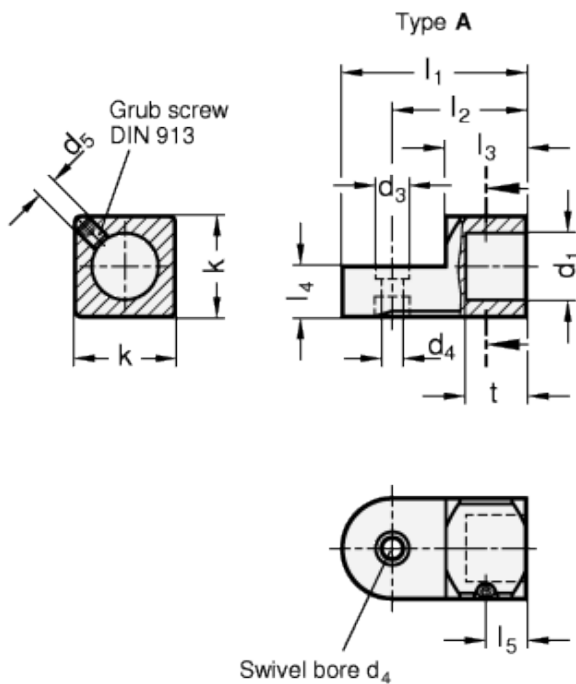
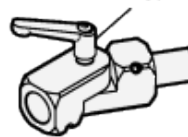


# GN 483

T-Swivel clamp mountings



Swivel clamp  
mounting joint  
with clamping kit  
GN 511.1, Type K



Clamping kit  
GN 511.1, Type S



technical informations

Material  
Aluminium.

Finish

- Version MT: matte, slide ground.
- Version ELS: black anodized.

### Standard versions available

- Type A: with bore.
- Type W: with bolt.

### Bolt

Zinc-plated steel, blue passivated (Type W).

### Grub screw DIN 913 (Type A)

Stainless Steel AISI 304.

### Grub screw DIN 915 (Type W)

Stainless Steel AISI 304.

### Features and applications

Using swivel clamp mountings GN 482 and attachment clamp mountings GN 484 with the same k dimensions, T-Swivel clamp mountings GN 483 are easily combined into articulated swivel clamp mounting joints. Clamping kits GN 511.1 with screw, type S and adjustable hand lever, type K are available for this purpose (description see table of dimensions).

Standard Elements	Main dimensions														Clamping kits for d4	Clamping kits for d4	Weight
Description	d <sub>1</sub>	d <sub>2</sub>	k	d <sub>3</sub>	d <sub>4</sub>	d <sub>5</sub>	l <sub>1</sub>	l <sub>2</sub>	l <sub>3</sub>	l <sub>4</sub>	l <sub>5</sub>	l <sub>6</sub>	t	g			
GN 483-B8-16-A-MT	B8	-	16	7	4.5	M4	30	22	13	8	5.5	-	8	GN 511.1-M4-16-S	GN 511.1-M4-16-K	17	
GN 483-B8-16-A-ELS	B8	-	16	7	4.5	M4	30	22	13	8	5.5	-	8	GN 511.1-M4-16-S	GN 511.1-M4-16-K	17	
GN 483-B10-20-A-MT	B10	-	20	8.5	5.5	M5	38	28	17	10	7	-	10	GN 511.1-M4-16-S	GN 511.1-M4-16-K	20	
GN 483-B10-20-A-ELS	B10	-	20	8.5	5.5	M5	38	28	17	10	7	-	12	GN 511.1-M4-16-S	GN 511.1-M4-16-K	20	
GN 483-B12-20-A-MT	B12	-	20	8.5	5.5	M5	38	28	17	10	8	-	12	GN 511.1-M4-16-S	GN 511.1-M4-16-K	20	
GN 483-B12-20-A-ELS	B12	-	20	8.5	5.5	M5	30	28	17	10	8	-	12	GN 511.1-M4-16-S	GN 511.1-M4-16-K	20	
GN 483-B15-25-A-MT	B15	-	25	10	6.5	M6	46	33.5	20	12.5	10	-	15	GN 511.1-M4-16-S	GN 511.1-M4-16-K	40	
GN 483-B15-25-A-ELS	B15	-	25	10	6.5	M6	46	33.5	20	12.5	10	-	15	GN 511.1-M4-16-S	GN 511.1-M4-16-K	40	
GN 483-B16-25-A-MT	B16	-	25	10	6.5	M6	46	33.5	24	12.5	11	-	16	GN 511.1-M4-16-S	GN 511.1-M4-16-K	40	
GN 483-B16-25-A-ELS	B16	-	25	10	6.5	M6	46	33.5	24	12.5	11	-	16	GN 511.1-M4-16-S	GN 511.1-M4-16-K	40	
GN 483-B20-30-A-MT	B20	-	30	10	6.5	M6	55	40	24	15	12	-	18	GN 511.1-M4-16-S	GN 511.1-M4-16-K	80	
GN 483-B20-30-A-ELS	B20	-	30	10	6.5	M6	55	40	24	15	12	-	18	GN 511.1-M4-16-S	GN 511.1-M4-16-K	80	
GN 483-8-16-W-MT	-	8	16	7	4.5	M4	30	22	13	8	5.5	16	-	GN 511.1-M4-16-S	GN 511.1-M4-16-K	20	
GN 483-8-16-W-ELS	-	8	16	7	4.5	M4	30	22	13	8	5.5	16	-	GN 511.1-M4-16-S	GN 511.1-M4-16-K	20	
GN 483-10-20-W-MT	-	10	20	8.5	5.5	M5	38	28	17	10	7	17	-	GN 511.1-M4-16-S	GN 511.1-M4-16-K	42	
GN 483-10-20-W-ELS	-	10	20	8.5	5.5	M5	38	28	17	10	7	17	-	GN 511.1-M4-16-S	GN 511.1-M4-16-K	42	
GN 483-12-20-W-MT	-	12	20	8.5	5.5	M5	38	28	17	10	8	19	-	GN 511.1-M4-16-S	GN 511.1-M4-16-K	51	
GN 483-12-20-W-ELS	-	12	20	8.5	5.5	M5	38	28	17	10	8	19	-	GN 511.1-M4-16-S	GN 511.1-M4-16-K	51	
GN 483-15-25-W-MT	-	15	25	10	6.5	M6	46	33.5	20	12.5	10	21	-	GN 511.1-M4-16-S	GN 511.1-M4-16-K	94	
GN 483-15-25-W-ELS	-	15	25	10	6.5	M6	46	33.5	20	12.5	10	21	-	GN 511.1-M4-16-S	GN 511.1-M4-16-K	94	
GN 483-16-25-W-MT	-	16	25	10	6.5	M6	46	33.5	24	12.5	11	24	-	GN 511.1-M4-16-S	GN 511.1-M4-16-K	106	
GN 483-16-25-W-ELS	-	16	25	10	6.5	M6	46	33.5	24	12.5	11	24	-	GN 511.1-M4-16-S	GN 511.1-M4-16-K	106	
GN 483-20-30-W-MT	-	20	30	10	6.5	M6	55	33.5	24	15	12	26	-	GN 511.1-M4-16-S	GN 511.1-M4-16-K	180	
GN 483-20-30-W-ELS	-	20	30	10	6.5	M6	55	33.5	24	15	12	26	-	GN 511.1-M4-16-S	GN 511.1-M4-16-K	180	



STANDARD MACHINE ELEMENTS WORLDWIDE